



Engineered Single Use Solutions...Reducing Operational Cost, Improving Production Efficiency



- Molded & Unitized Construction (No Adhesives)
- Certified Sterile with Fast Delivery
- Cost Effective Aseptic Transfer & Sampling Device
- One Continuous Flow Path
- Torque Wrench Capable
- Lot Traceable
- Meets USP Class VI

<u>Features</u>	<u>Benefits</u>
◇ One Piece Molded Cap Design	<ul style="list-style-type: none"> ○ Reduces contamination & product loss associated w/ barbed fittings ○ Closed system protects product integrity ○ Provides aseptic seal for high purity biologicals
◆ Materials of Construction	<ul style="list-style-type: none"> ● C-Flex® ADCF Tubing (Heat weldable/sealable) – ADCF Polypropylene Cap
◇ Single Use	<ul style="list-style-type: none"> ○ Cost effective ○ Reduced assembly & installation time ○ Eliminate cleaning validation
◆ PETG Square Media Bottle	<ul style="list-style-type: none"> ● Sterilized and ready to use ● ADCF



SaniSure® Cap2v8® Sterile Media Bottle Assembly

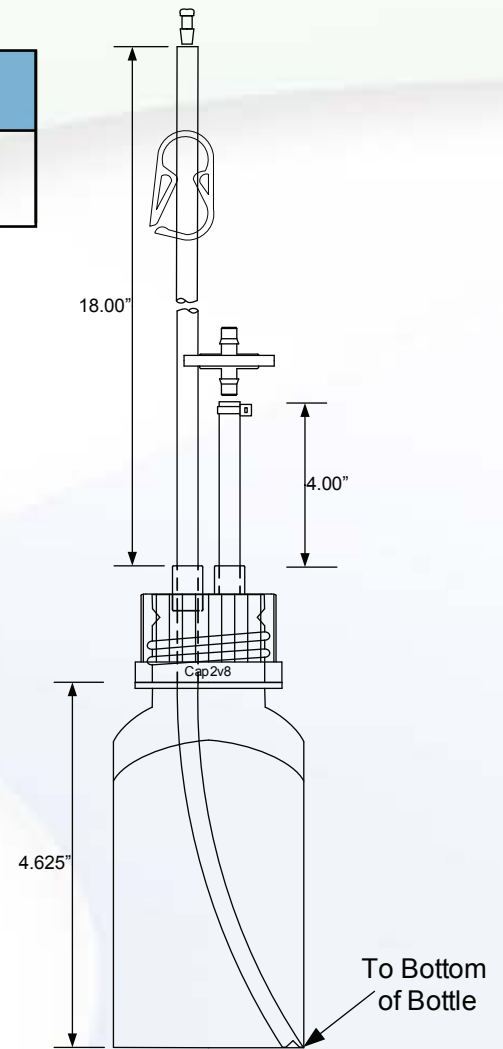
Part Number	Bottle Volume	Bottle Material
CAP2V8-250PETG-X-2	250mL	PETG

• Assembly Includes

- 1 - 250mL PETG Bottle
- 1 - 2 Port 38mm Cap2v8® Cap w/ 1/8" ID x 1/4" OD C-Flex® Tubing
 - Vent Line - 4.0" OAL
 - Transfer Line - One Continuous Piece of C-Flex® Tubing
 - Cap Side - 18.0" OAL
 - Bottle Side - Bottom of Bottle (Notched End)
- 1 - 25mm 0.2µm Hydrophobic Filter
- 1 - Pinch Clamp, Polypro
- 1 - Tube Plug, Polypro
- 1 - Cable Tie, Nylon

Packaging:

- Bagged, Labeled & Bar Coded to Your Specifications In an ISO Class 7 Clean Room



Applications:

- Tissue & Cell Culture Media
- Cell Fermentation
- Pilot & Process Research & Development
- Laboratory Research
- Aseptic Sampling
- Vaccine Production
- Sterile Filling & Transfer

Sterilization:

- Gamma Irradiated to Sterility Assurance Level 10⁻⁶



Please contact your SaniSure® representative for all custom Cap2v8® design capabilities

SaniSure Inc.
P.O. Box 2360
Moorpark, CA 93021
Toll Free (877) 777-3005
www.SaniSure.com

IMPORTANT: It is the user's responsibility to ensure the suitability and safety of SaniSure, Inc. products for all intended uses.

For a period of 90 days from the date of first sale, SaniSure, Inc. warrants this product to be free from defects in materials and workmanship. Our only obligation will be to replace any portion proving defective, or at our option, to refund the purchase price thereof. User assumes all other risk, if any, including the risk of injury, loss or damage, direct or consequential, arising out of the use, misuse, or inability to use, this product. THIS WARRANTY IS IN LIEU OF THE WARRANTIES OF MERCHANTABILITY, FITNESS FOR PARTICULAR PURPOSE, AND ALL OTHER WARRANTIES, EXPRESSED OR IMPLIED. No deviation is authorized.

SaniSure, Inc. assumes no obligations or liability for any advice furnished by it or for results obtained with respect to those products. All such advice is given and accepted at the buyer's risk. SaniSure® is a trademark of SaniSure, Inc.® All rights reserved. C-Flex® is a registered trade mark of Saint-Gobain Performance Plastics Corporation